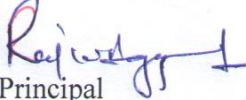


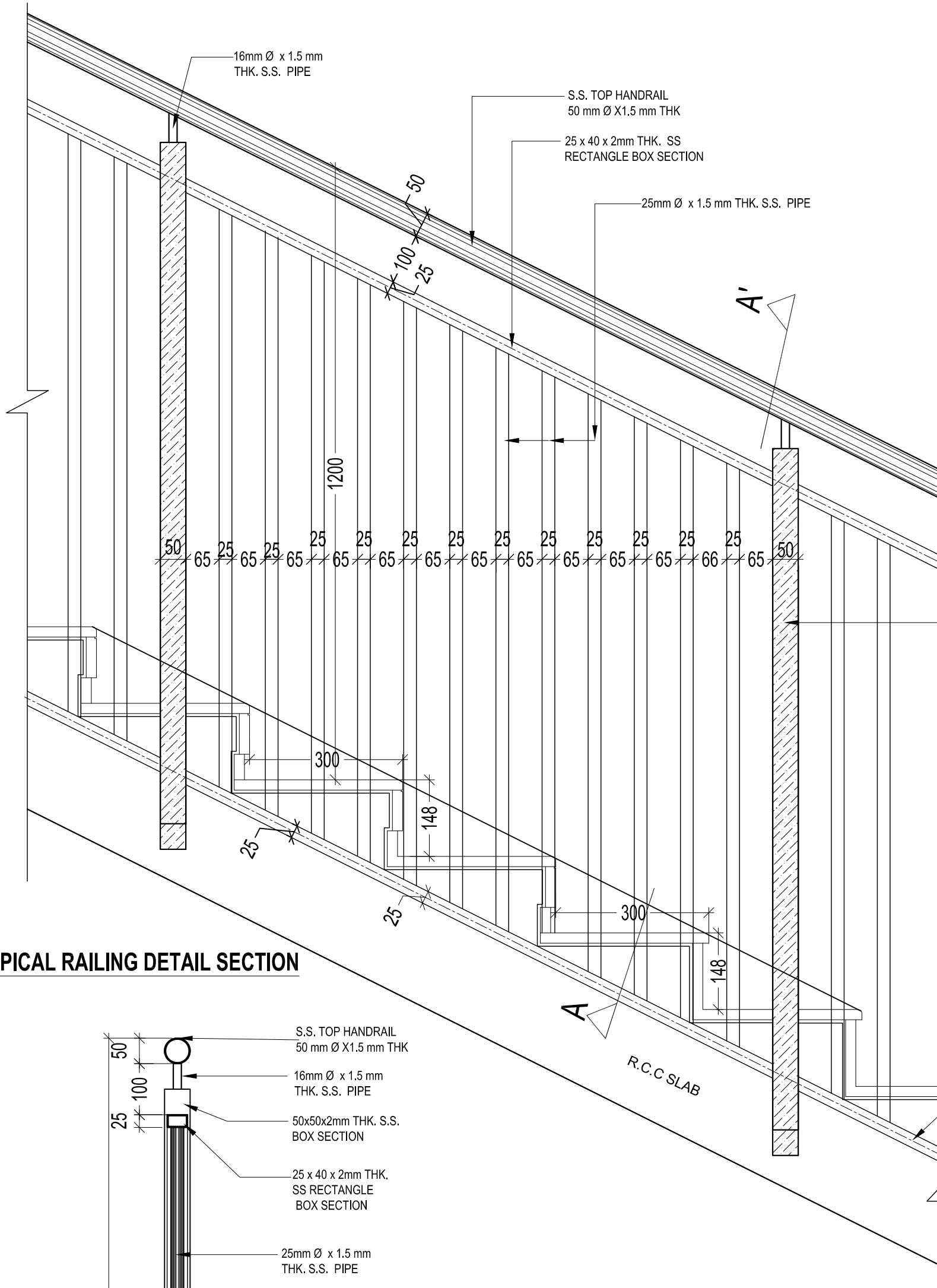
DESHBANDHU COLLEGE
KALKAJI, NEW DELHI-110019

Date: 07.10.2021

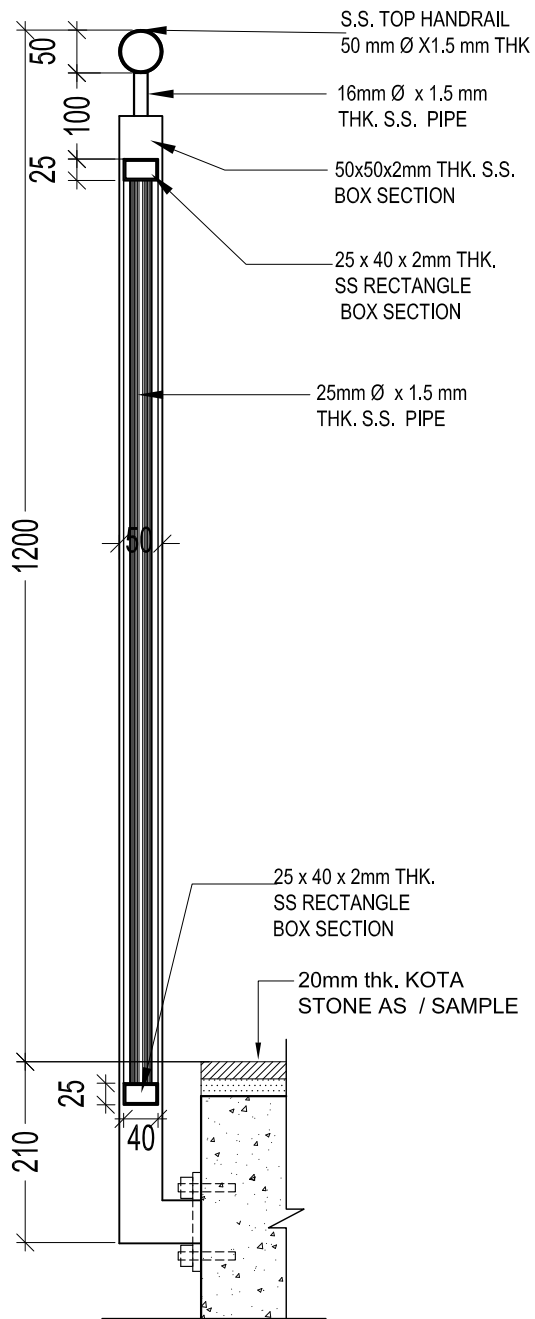
Corrigendum

In continuation to the invitation of quotations dated 24.09.2021 for “**Fixing of stainless steel railing in Library**”. The last date for submission of quotations has been extended upto 12.10.2021 at 5.00 p.m. and the drawings of the work are hereby attached.


Principal



TYPICAL RAILING DETAIL SECTION



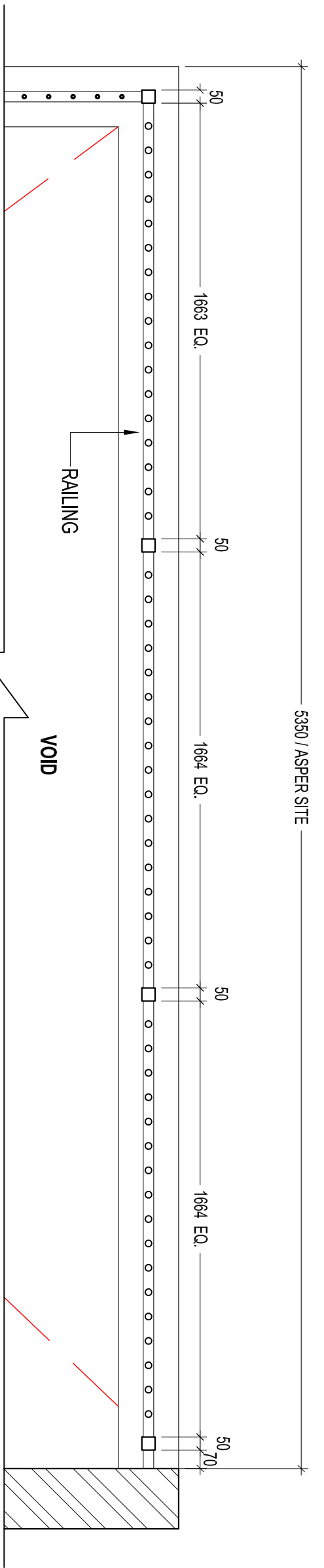
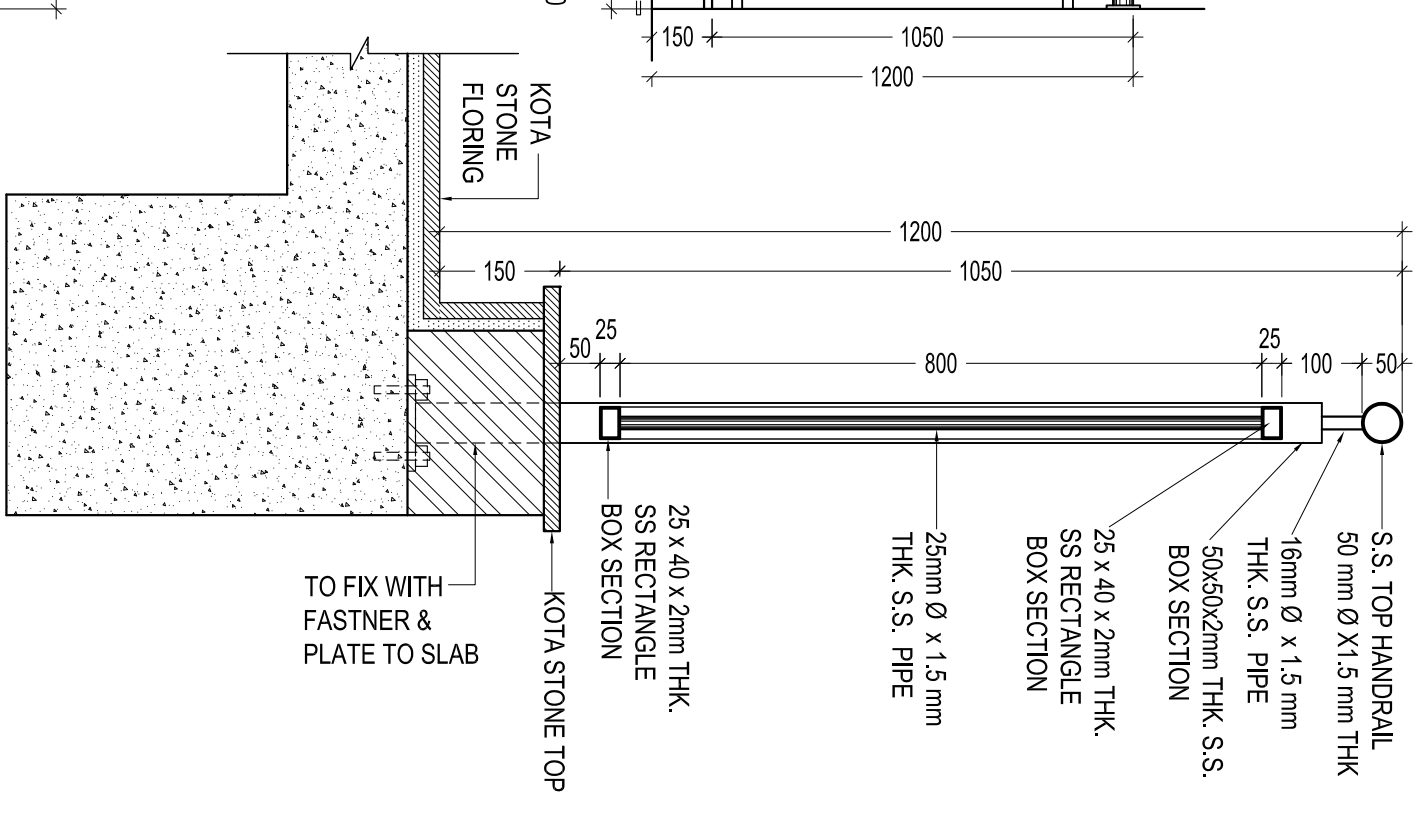
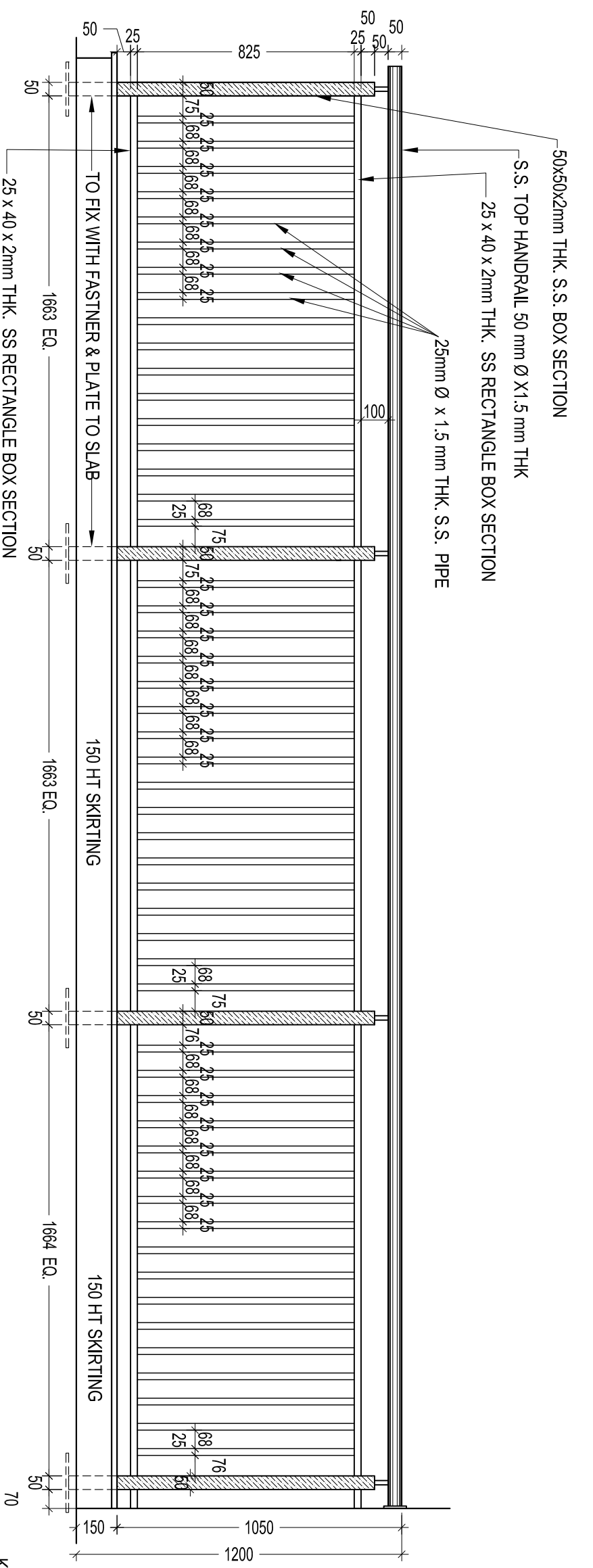
RAILING SECTION DETAIL - A -A'

PROJECT :-
**DESHBANDHU COLLEGE ,
 KALKA JI , NAW DELIH**

TITLE :-
STAIRCASE RAILING DETAIL

| | |
|----------------------|-------------------|
| DATE:- 06 10 2021 | SCALE: NTS |
| DRN.BY :- MAMTA | CHK.BY |
| DRG. NO. | JOB NO. 150-D4 |

architects consortium
 ARCHITECTS, URBAN PLANNERS, LANDSCAPE
 & INTERIOR DESIGN CONSULTANTS
 SANTOSH.E- 49, PANCHSHEEL PARK, NEW DELHI.
 PHONE. 26491339, 41753369
 e - mail : architects.consortium@gmail.com



| | | | | |
|--|--|-----------------------|--------------------|---------------|
| PROJECT :- DESHBANDHU COLLEGE, KALKAJI, NAW DELHI | TITLE :- TYPICAL RAILING DETAIL DOUBLE HEIGHT AREAS LIBRARY BLOCK | DATE :- 06.10.2021 | DRG. NO. 150-D4 | SCALE: NTS |
| | | DRN. BY :- MAMTA | JOB NO. 150-D4 | CHK. BY |
| architects consortium ARCHITECTS, URBAN PLANNERS, LANDSCAPE & INTERIOR DESIGN CONSULTANTS SANTOSH, E-49 PANCHSHEEL PARK, NEW DELHI. PHONE: 26491339, 41753369 e-mail: architects.consortium@gmail.com | | | | |